



## SELF-PROPELLED ARTICULATING BOOMS

# Z™-30/20N RJ

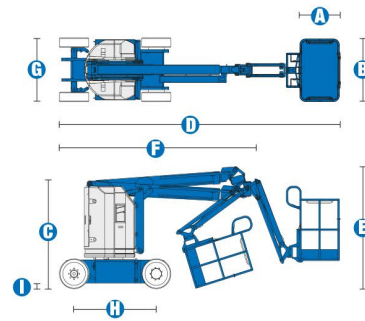


## Specifications

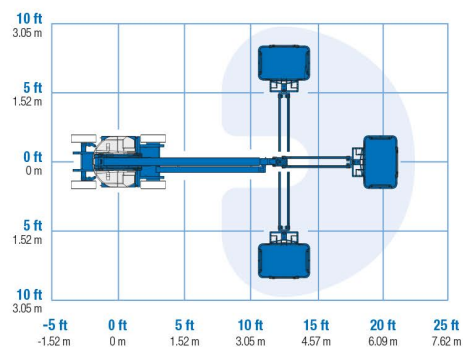
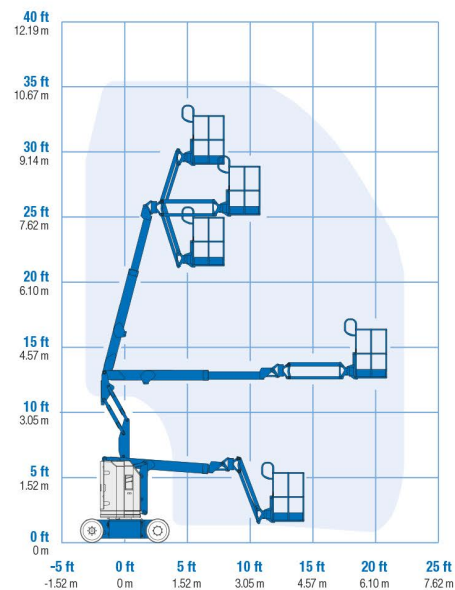
MODELS	Z™-30/20N RJ
MEASUREMENTS	Metric
Working height maximum*	10.89 m
Platform height maximum	8.89 m
Horizontal reach maximum	6.25 m
Up and over clearance maximum	3.86 m
<b>A</b> Platform length	.76 m
<b>B</b> Platform width	1.19 m
<b>C</b> Height - stowed	2 m
<b>D</b> Length - stowed	5.31 m
<b>E</b> Storage height	2.24 m
<b>F</b> Storage length	3.66 m
<b>G</b> Width	1.19 m
<b>H</b> Wheelbase	1.60 m
<b>I</b> Ground clearance - center	.09 m

PRODUCTIVITY	
Lift capacity	227 kg
Platform rotation	180°
Vertical jib rotation	139°
Horizontal jib rotation	180°
Turntable rotation	355° non-continuous
Turntable tailswing	zero
Drive speed - stowed	4.8 km/h
Drive speed - raised**	1.1 km/h
Gradeability - stowed***	35%
Turning radius - inside	1.65 m
Turning radius - outside	3.23 m
Controls	24 V DC proportional
Tires - solid non-marking	.56x.18x.45 m

POWER	
Power source	48 V DC (eight 6 V batteries 350 Ah capacity)
Auxiliary power unit	24 V DC
Hydraulic tank capacity	15.1 L
WEIGHT****	
	6,450 kg



### RANGE OF MOTION Z™-30/20N RJ



### STANDARDS COMPLIANCE ANSI A92.5, CSA B354.4, CE Compliance, AS 1418.10

\* The metric equivalent of working height adds 2 m to platform height. U.S. adds 6 ft to platform height.  
 \*\* In lift mode \*(platform raised), the machine is designed to operate on firm, level surfaces only.  
 \*\*\* Gradeability applies to driving on slopes. See operator's manual for details regarding slope ratings.  
 \*\*\*\* Weight will vary depending on options and/or country standards.