

# T870 | Specifications

## T870

Machine Rating	
Rated operating capacity (ISO 14397-1)	1584 kg
Tipping load	4526 kg
Pump capacity	90.1 l/min
Pump capacity (with high flow option)	141.6 l/min
System relief at quick couplers	238–245 bar
Max. travel speed (low range)	10.5 km/h
Max. travel speed (high range)	18.3 km/h

Engine	
Make / Model	Kubota / V3800-DI-T-E3
Fuel / Cooling	Diesel / Liquid
Maximum power	74 kW
Torque (SAE J1995)	325 Nm (at 1600 RPM)
Number of cylinders	4
Displacement	3769 cm <sup>3</sup>

Weights	
Operating weight	5751 kg

Controls	
Vehicle steering	Direction and speed controlled by two joysticks
Loader hydraulics tilt and lift	Selectable Joystick Control (SJC)
Front auxiliary (standard)	Electrical switch on right-hand joystick

Drive System	
Transmission	Infinitely variable tandem hydrostatic piston pumps, driving two fully reversing hydrostatic motors

Fluid Capacities	
Cooling system capacity with heater	18.5 l
Cooling system capacity w/o heater	15.1 l
Engine oil with filter capacity	11.4 l
Fuel tank capacity	134.8 l
Hydraulic reservoir capacity	11.4 l
Hydraulic / hydrostatic system capacity	36 l

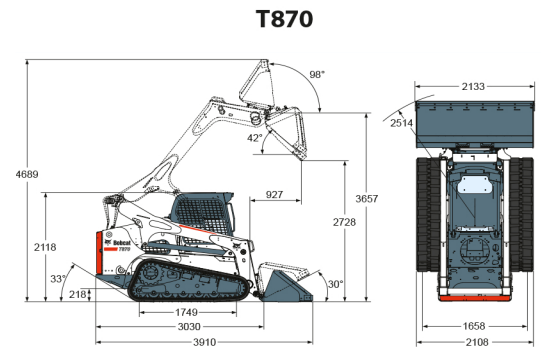
Environmental	
Operator LpA (EU Directive 2006/42/EC) / (uncertainty)	82.4 dB (A) / 2.5 dB (A)
Noise level LWA (EU Directive 2000/14/EC)	104 dB (A)
Whole body vibration (ISO 2631-1) / (uncertainty)	1.5 ms <sup>-2</sup> / 0.6 ms <sup>-2</sup>
Hand-arm vibration (ISO 5349-1)	0.49 ms <sup>-2</sup>

Standard Features	
Selectable Joystick Controls (SJC)	
Roller Suspension™ undercarriage	
450 mm rubber tracks	
Enclosed cab	

Options	
High Flow Hydraulics	
Cab enclosure with heating	
Cab enclosure with heating and air conditioning	
Deluxe instrumentation panel	
Power Bob-Tach	
2 <sup>nd</sup> speed	

## Dimensions

All dimensions in mm.



Specifications and design are subject to change without notice. Pictures of Bobcat products may show other than standard equipment.



www.bobcat.eu



**Bobcat**®

