



S650

Specifications

Machine Rating

| | |
|--|---------------|
| Rated operating capacity | 1220 kg |
| Tipping load | 2440 kg |
| Pump capacity | 87.1 L/min |
| Pump capacity (@ 91% efficiency with high flow option) | 115.5 L/min |
| System relief at quick couplers | 23.8–24.5 MPa |
| Max. travel speed (low range) | 11.4 km/h |
| Max. travel speed (high range - option) | 19.8 km/h |

Engine

| | |
|--|-----------------------|
| Make / Model | Kubota / V3307-DI-TE3 |
| Fuel / Cooling | Diesel / Liquid |
| Power | 55.4 kW |
| Torque, maximum at 1600 RPM (SAE J1 995 Gross) | 264 Nm |
| Number of cylinders | 4 |
| Displacement | 3331 cm ³ |
| Fuel tank capacity | 103.3 L |

Weights

| | |
|------------------|---------|
| Operating weight | 3777 kg |
|------------------|---------|

Controls

| | |
|---------------------------------|--|
| Vehicle steering | Direction and speed controlled by two hand levers |
| Loader hydraulics tilt and lift | Separate foot pedals, optional Advanced Control System (ACS), Advanced Hand Control (AHC) or Selectable Joystick Control (SJC) |
| Front auxiliary (standard) | Electrical switch on right-hand steering lever |

Drive System

| | |
|--------------|---|
| Transmission | Infinitely variable tandem hydrostatic piston pumps, driving two fully reversing hydrostatic motors |
|--------------|---|

Standard Features

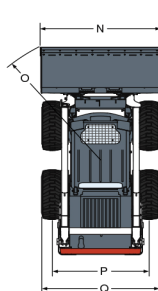
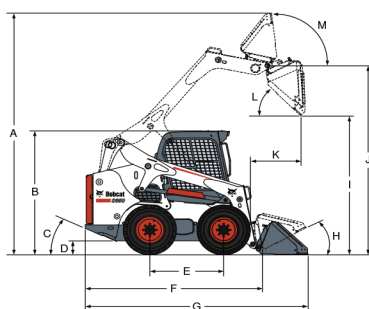
| | |
|--|--|
| High-back adjustable suspension seat | Engine/hydraulics system shutdown |
| Automatically activated glow plugs | Hydraulic bucket positioning |
| Bob-Tach™ frame | Instrumentation |
| Bobcat Interlock Control System (BICS) | Lift arm support |
| Deluxe operator cab | Work lights, front and rear |
| Includes interior cab foam, side, top and rear windows | Parking brake |
| Electrically activated proportional front auxiliary hydraulics | Seat belt |
| | Seat bar |
| | 12 x 16.5, 12-ply, Heavy duty tyres |
| | CE certification |
| | Turbo-charger with approved spark arrester |

* Roll Over Protective Structure (ROPS) - meets requirements of SAE J1040 and ISO 3471; Falling Object Protective Structure (FOPS) - meets requirements of SAE-J1043 and ISO 3449, Level I

Options

| | |
|---|---|
| Two speed | 12 x 16.5, 12-ply, Heavy duty tyres, offset rims |
| High flow hydraulics | 12 x 16.5, 12-ply, Severe duty tyres |
| Deluxe instrument panel | 12 x 16.5, 12-ply, Severe duty tyres, poly filled |
| Cab enclosure with heating | 12 x 16.5, Solid flex tyres |
| Air conditioning | Advanced Control System (ACS) |
| Power Bob-Tach™ | Advanced Hand Controls (AHC) |
| 33 x 15.5-16.5, 12-ply, Superflotation tyres, offset rims | Selectable Joystick Controls (SJC) |

Dimensions



| | | | |
|-----|---------|-----|---------|
| (A) | 4026 mm | (J) | 3149 mm |
| (B) | 2065 mm | (K) | 800 mm |
| (C) | 25° | (L) | 42.0° |
| (D) | 406 mm | (M) | 97° |
| (E) | 1150 mm | (N) | 1727 mm |
| (F) | 2754 mm | (N) | 1880 mm |
| (G) | 3474 mm | (N) | 2032 mm |
| (H) | 30° | (O) | 2106 mm |
| (I) | 2447 mm | (P) | 1507 mm |
| | | (Q) | 1832 mm |



www.bobcat.eu