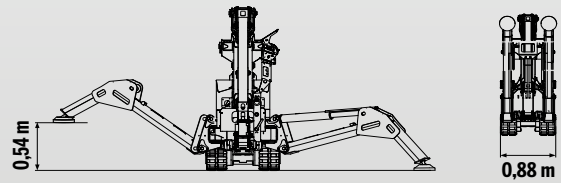
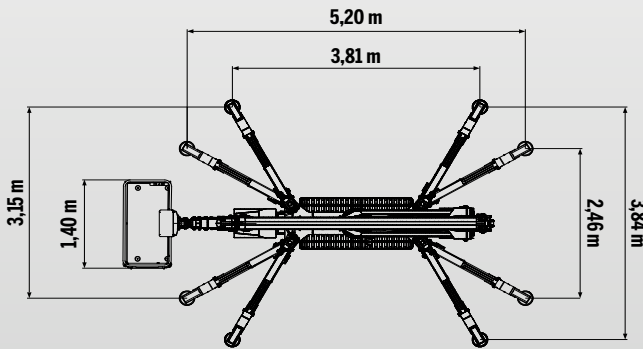
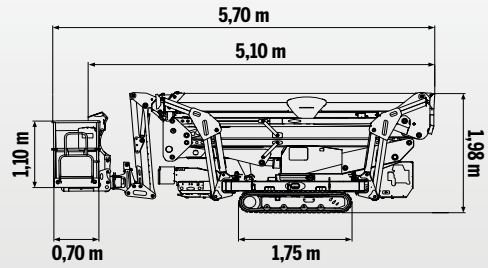
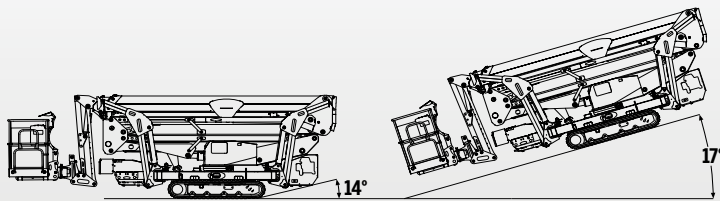


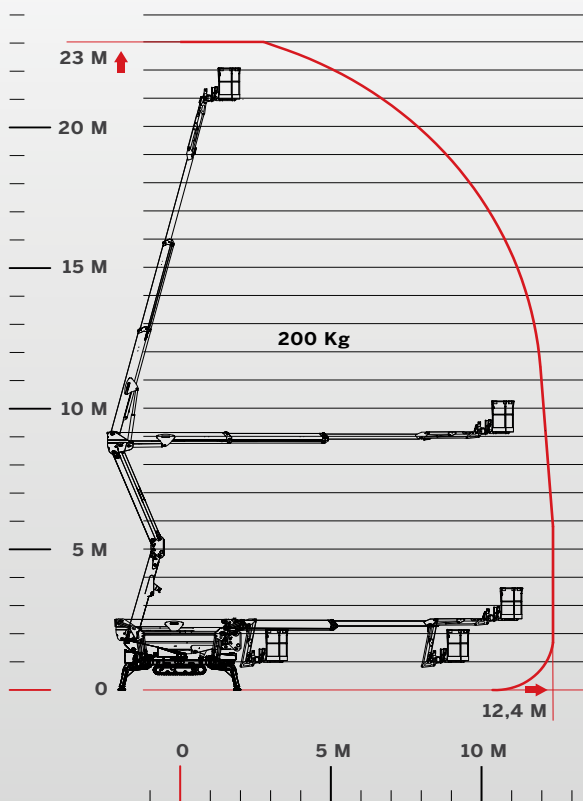


TECHNICAL DATA



MAXIMUM LOAD

200 KG + + 40 KG



PERFORMANCE



23,00 m



+/-90° optional



12,40 m



+/-355° (710° continuous)



200 Kg



2984 Kg



1,4x0,7x1,1 m

