

**STILL**

## RX 60 Technical Data Electric Forklift Truck

RX 60-50





**RX 60/50 Electric Forklift Truck**  
For heavy work

Distinguishing marks	1.1	Manufacturer			STILL	
	1.2	Manufacturer's type designation			<b>RX 60-50</b>	
	1.2.1	Manufacturer model number			6329	
	1.3	Drive			Electric	
	1.4	Operation			Seated	
	1.5	Rated capacity/rated load	Q	kg	4990	
	1.6	Load centre distance	c	mm	500	
	1.8	Load spacing	x	mm	535	
	1.9	Wheel base	y	mm	2021	
Weight	2.1	Empty weight (incl. battery)		kg	7121	
	2.2	Axle loading, laden	front/rear	kg	10917/1194	
	2.3	Axle loading, unladen	front/rear	kg	3372/3749	
Tyres/chassis	3.1	Tyres			Superelastic	
	3.2	Tyre size	front	mm	355/50-15	
	3.2	Tyre size	rear	mm	200/75-9	
	3.5	Number of wheels (x = driven)	front/rear		2x/2	
	3.6	Tread	front/rear	b <sub>10</sub> /b <sub>11</sub>	mm	1104/920
	Basic dimensions	4.1	Tilt of mast/fork carriage	front/rear	α/β	°
4.2		Height	mast lowered	h <sub>1</sub>	mm	2300
4.3		Free lift		h <sub>2</sub>	mm	160
4.4		Lift <sup>1</sup>		h <sub>3</sub>	mm	2980
4.5		Height	mast extended	h <sub>4</sub>	mm	3987
4.7		Height above protected roof (cab)		h <sub>6</sub>	mm	2320
4.8		Seat height in terms of SIP		h <sub>7</sub>	mm	1249
4.12		Clutch height		h <sub>10</sub>	mm	546/426
4.19		Total length		l <sub>1</sub>	mm	3896
4.20		Length including fork backs		l <sub>2</sub>	mm	2896
4.21		Overall width		b <sub>1</sub>	mm	1399
4.22		Fork dimensions		s/e/l	mm	60/130/1000
4.23		Fork carriage ISO 2328, class/type A, B				ISO III/A
4.24		Fork carriage width		b <sub>3</sub>	mm	1310
4.31		Ground clearance under mast		m <sub>1</sub>	mm	150
4.32		Ground clearance, centre wheel base		m <sub>2</sub>	mm	145
4.34.1		Working aisle width with pallet 1000 x 1200 crossways		A <sub>st</sub>	mm	4218
4.34.2		Working aisle width with pallet 800 x 1200 lengthways		A <sub>st</sub>	mm	4418
4.35		Turning radius		W <sub>a</sub>	mm	2483
4.36		Smallest pivoting distance		b <sub>13</sub>	mm	629
Performance data		5.1	Driving speed	laden/unladen	km/h	19/20
	5.2	Lifting speed	laden/unladen	m/s	0.33/0.46	
	5.3	Lowering speed	laden/unladen	m/s	0.55/0.51	
	5.5	Traction	laden/unladen	N	3600/4400	
	5.6	Max. traction	laden/unladen	N	15670/16090	
	5.7	Gradeability	laden/unladen	%	8.8/15.8	
	5.8	Max. gradeability	laden/unladen	%	13.2/23.4	
	5.9	Acceleration time	laden/unladen	s	3.3/4.6	
	5.10	Service brake				Electric/hydraulic
	Electric engine	6.1	Drive motor, output with S3 = 60 min		kW	15
6.2		Lifting motor, output at 15% ED		kW	25	
6.3		Battery in accordance with DIN 43531/35/36 A, B, C, no				DIN 43536 A
6.4		Battery voltage	U	V	80	
6.4.1		Battery capacity K <sub>s</sub>		Ah	840 (-930)	
6.5		Battery weight		kg	2178	
6.6	Energy consumption, 60 VDI combustion cycles/hour		kWh/h	11.5		
Misc.	10.1	Working pressure for accessory equipment		bar	250	
	10.2	Oil volume for accessory equipment		l/min	30	
	10.7	Sound pressure level L <sub>pAZ</sub> (operator's position) <sup>3</sup>		dB(A)	<70	
		Human vibrations: acceleration in accordance with EN 13059		m/s <sup>2</sup>	<0.7	
10.8	Trailer coupling, item/DIN type				Bolt	

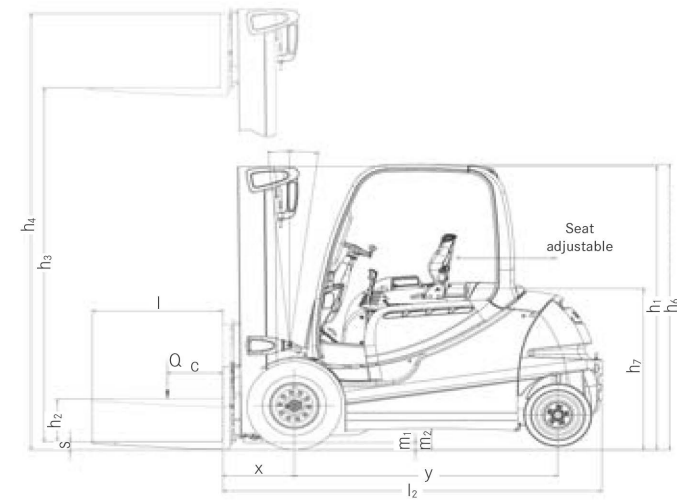
<sup>1</sup> The nominal lift stated includes the tyre deflection and tyre diameter tolerances

<sup>2</sup> Calculated with 1000 mm long forks

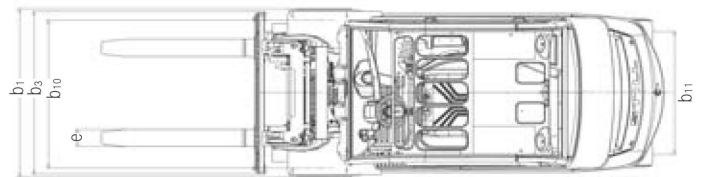
<sup>3</sup> No cab; different values with cab

This specification sheet to VDI Guidelines 2198 only gives the technical figures for the standard truck. Different tyres, other masts, additional equipment etc. could give different figures.

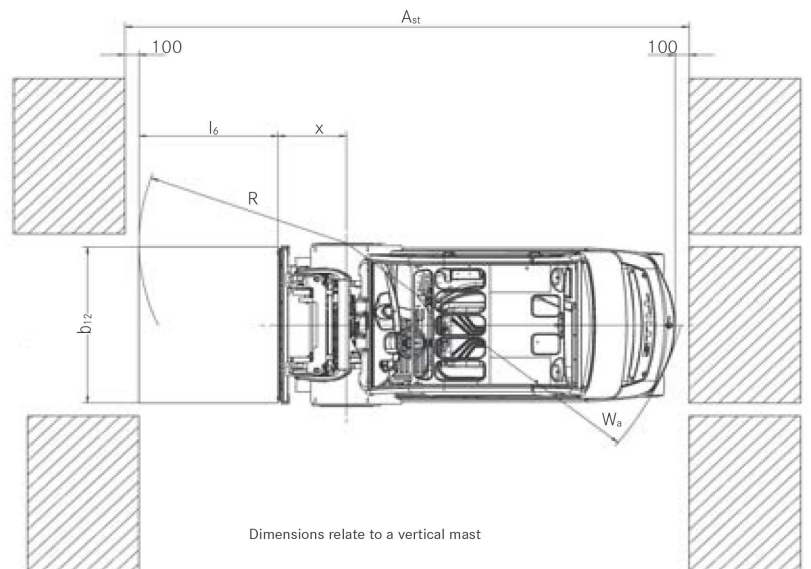
RX 60/50 Electric Forklift Truck  
Technical Drawings



Side view



Top view





Dimensions relate to a vertical mast

Top view

Gradients

Maximum distance that can be driven in 60 minutes.

Example: A RX 60-40 with a load of 4,000 kg and a gradient of 13% can drive a distance of 215 m 10 times per hour.

	Gradient	Maximum distance in m
<b>RX 60-50</b>		
With load 	13%	1380
	9%	3620
	7%	5380
	5%	6670
Without load 	23%	1430
	20%	2030
	15%	4350
	10%	6700
	5%	10720

Dry rough concrete surface = Coefficient of friction 0.80

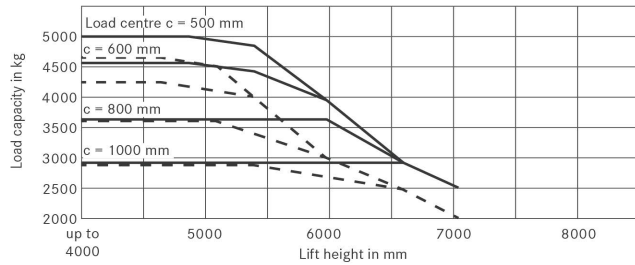
Standard battery as indicated in data sheet

Speed is variable



## RX 60/50 Electric Forklift Truck Basic Load Capacities

### RX 60-50 Triplex mast



— without side shift    - - - with side shift

## RX 60/50 Electric Forklift Truck Mast Table

				Triplex mast		
RX 60-50	Nominal lift	h <sub>3</sub>	mm	5980		
	Overall height	h <sub>1</sub>	mm	2800		
	Free lift <sup>1,2</sup>	h <sub>5</sub>	mm	1880		
	Maximum height <sup>1,2</sup>	h <sub>4</sub>	mm	7239		
	Tilt of mast/fork carriage forward/backward	α/β	°	3/9		
	Fork lock-in position centre-centre		mm	191/368/572/673/978 (fork carriage width 1310/1410 mm) / 1080 (fork carriage width 1410 mm)		
	Tyres	front/rear		355/50-15 // 200/75-9		
	Track	front/rear	b <sub>10</sub> /b <sub>11</sub>	mm	355/50-15 // 200/75-9	
	Maximum width		b <sub>1</sub>	mm	1399	

<sup>1</sup> Fork carriage ISO 3A standard

<sup>2</sup> Deviations depending on 4/6-stop fork carriages