



## RX 60 Technical Data Electric Forklift Truck

---

RX 60-30

---



first in intralogistics



**RX 60-25/35 Electric Forklift Truck**  
Emissions-free efficiency for every use

Distinguishing marks	1.1	Manufacturer			STILL	
	1.2	Manufacturer's type designation			<b>RX 60-30</b>	
	1.2.1	Manufacturer model number			6353	
	1.3	Drive			Electro	
	1.4	Operation			Seated	
	1.5	Nominal load capacity/load	Q	kg	3000	
	1.6	Load centre distance	c	mm	500	
	1.8	Load spacing	x	mm	465	
	1.9	Wheel base	y	mm	1650	
Weights	2.1	Weight incl. battery		kg	5104	
	2.2	Axle weight with load	front/rear	kg	7274/830	
	2.3	Axle weight without load	front/rear	kg	2519/2585	
Tyres/chassis	3.1	Tyres			Superelastic	
	3.2	Tyre size	front	mm	250/60-12 (23 x 10-12)	
	3.2	Tyre size	rear	mm	180/70-8 (18 x 7-8)	
	3.5	Number of wheels (x = driven)	front/rear		2x/2	
Basic dimensions	3.6	Track width	front/rear	b <sub>10</sub> /b <sub>11</sub>	mm	950/900
	4.1	Angle of mast/fork carriage	forward/backward <sup>4</sup>	α/β	°	5/7
	4.2	Height of mast	when retracted	h <sub>1</sub>	mm	2200
	4.3	Free lift		h <sub>2</sub>	mm	160
	4.4	Lift <sup>1</sup>		h <sub>3</sub>	mm	3020
	4.5	Height of mast	when extended	h <sub>4</sub>	mm	3800
	4.7	Height above protected roof (cabin)		h <sub>6</sub>	mm	2212
	4.8	Seat height in terms of SIP		h <sub>7</sub>	mm	1257
	4.12	Coupling height		h <sub>10</sub>	mm	487/367
	4.19	Total length		l <sub>1</sub>	mm	3428
	4.20	Length including fork backs		l <sub>2</sub>	mm	2428
	4.21	Total width		b <sub>1</sub>	mm	1199
	4.22	Fork dimensions		s/e/l	mm	50/100/1000
	4.23	Fork carriage ISO 2328, class/form A, B				ISO III A
	4.24	Fork carriage width		b <sub>3</sub>	mm	1150
	4.31	Ground clearance under mast		m <sub>1</sub>	mm	125
	4.32	Ground clearance centre wheel base		m <sub>2</sub>	mm	127
	4.34.1	Working aisle width with pallet 1000 x 1200 crossways <sup>4</sup>		A <sub>st</sub>	mm	3760
	4.34.2	Working aisle width with pallet 800 x 1200 lengthways <sup>4</sup>		A <sub>st</sub>	mm	3960
4.35	Turning radius		W <sub>B</sub>	mm	2095	
4.36	Smallest pivoting distance		b <sub>13</sub>	mm	570	
Performance data	5.1	Driving speed	with/without load	km/h	19/20	
	5.2	Lifting speed	with/without load	m/s	0.43/0.55	
	5.3	Lowering speed	with/without load	m/s	0.51/0.45	
	5.5	Drawbar pull	with/without load	N	7680/8040	
	5.6	Max. drawbar pull	with/without load	N	17050/17240	
	5.7	Gradeability	with/without load	%	18.1/29.0	
	5.8	Max. gradeability	with/without load	%	21.7/29.0	
	5.9	Acceleration time	with/without load	s	4.7/4.2	
	5.10	Service brake			Electric/mechanical	
	Electric engine	6.1	Drive motor, output with S2 60 min		kW	15
6.2		Lifting motor, output with S3 15%		kW	16.3	
6.3		Battery according to DIN 43531/35/36 A, B, C, no			DIN 43536 A	
6.4		Battery voltage	U	V	80	
6.4.1		Battery capacity K <sub>s</sub>		Ah	560 - 620	
6.5		Battery weight		kg	1558	
6.6	Energy consumption 60 VDI combustion cycles/hour		kWh/h	7.5		
Misc.	10.1	Working pressure for accessory equipment		bar	250	
	10.2	Oil volume for accessory equipment		l/min	30	
	10.7	Sound pressure level L <sub>pAZ</sub> (operator's position) <sup>2</sup>		dB(A)	<70	
		Human vibrations: acceleration in accordance with EN 13059		m/s <sup>2</sup>	<0.7	
10.8	Trailer coupling, item/DIN type			Bolt		

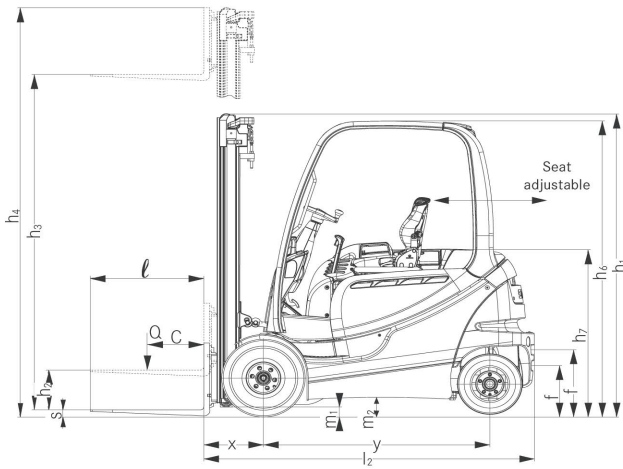
<sup>1</sup> The specified rated lift takes into consideration the tyre deflection and the tolerances of the tyre diameter

<sup>2</sup> Without cab. Different values with cab

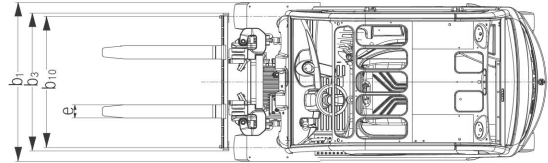
<sup>3</sup> Fork overhang not included

<sup>4</sup> For telescopic, NiHo and triplex mast

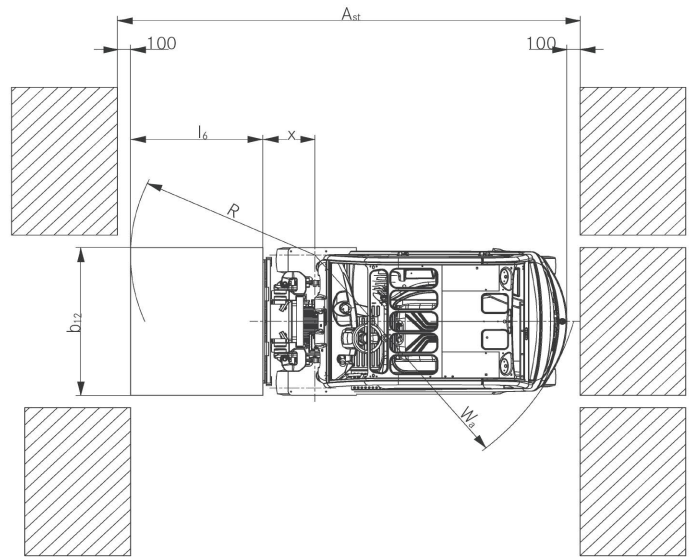
RX 60-25/35 Electric Forklift Truck  
Technical Drawings



Side view



Top view





Top view

Gradients

Maximum distance that can be driven in 60 minutes.

Example: with a load of 2,500 kg and an incline of 10%, an RX 60-25 can drive a distance of 600 m up to ten times per hour.

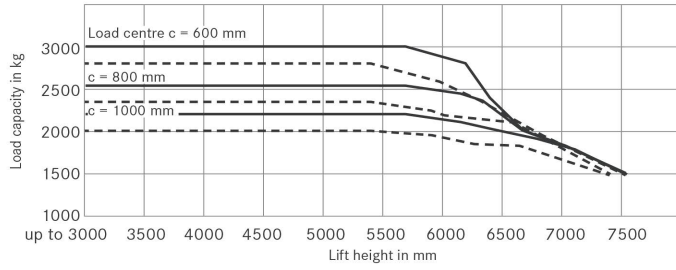
	Gradient	Maximum distance in m
With load 	20%	1400
	15%	2940
	10%	5450
	5%	8200
Without load 	25%	3020
	20%	5030
	15%	5990
	10%	7710
	5%	11690

Dry rough concrete = coefficient of friction 0.8  
Battery: standard as per specification sheet



RX 60-25/35 Electric Forklift Truck  
Basic Load Capacities

RX 60-30/600 triplex mast



— without side shifter

- - - with fitted side shifter



RX 60-25/35 Electric Forklift Truck  
Mast Tables

				<b>Triples mast</b>
RX 60-30	Nominal lift	h <sub>3</sub>	mm	4360-5040
	Overall height	h <sub>1</sub>	mm	2100-2325
	Free lift 4 rollers fork carriage	h <sub>2</sub>	mm	1440-1670
	Free lift 6 rollers fork carriage	h <sub>2</sub>	mm	1320-1550
	Maximum height 4 rollers fork carriage	h <sub>4</sub>	mm	5070-5740
	Maximum height 6 rollers fork carriage	h <sub>4</sub>	mm	5190-5870
	Adjustable fork spread		mm	267 / 673 / 876 / 1080 (fork carriage width 1300 mm/1600 mm) / 1384 (fork carriage width 1600 mm)
	Overall length RX 60-30	l <sub>2</sub>	mm	2428
	Overall length RX 60-30L	l <sub>2</sub>	mm	2518
	Load spacing	x	mm	465
	Tyres	front/rear	mm	250/60-12//180/70-8
	Track	front/rear	b <sub>10</sub> /b <sub>11</sub>	mm 950/900
	Maximum width		b <sub>1</sub>	mm 1199