

MHT Evolution

THE HIGH CAPACITY HANDLING Solution



TECHNICAL DATA

NEW
SAIE 2011
INTERNATIONAL BUILDING EXHIBITION



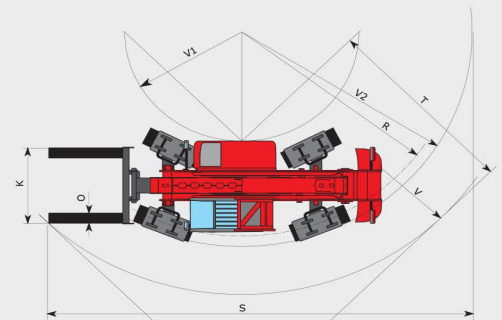
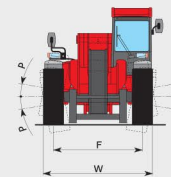
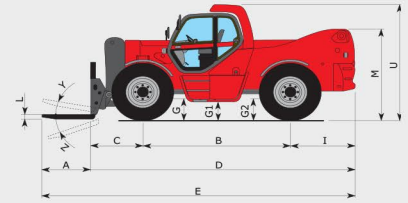
MHT 10180



MHT Evolution

MHT 10180

| | | |
|--|------------------------------------|--|
| | Lifting capacity | |
| | CDG 600 mm | 18000 kg |
| | CDG 900 mm | - |
| | CDG 1200 mm | 14000 kg |
| | Lifting height | 9.7 m |
| | Time: laden/unladen (in s) | |
| | Raise | 25.00 |
| | Lower | 17.00 |
| | Deploy telescope | 14.00 |
| | Retract telescope | 11.00 |
| | Tyres | 445/95 R25 XLB |
| | Forks (mm) | |
| | Length x width x thickness | 1500 x 200 x 80 |
| | Braking | |
| | Service brake | multiple-disc brakes hydraulically assisted on front and rear axles |
| | Parking brake | negative |
| | MERCEDES MTU Engine | OM 904 |
| | Capacity | 4 cyl. - 4250 cm ³ |
| | Power at 2200 rpm (ISO/TR 14396) | 175 HP/129 kW |
| | Max. torque at 1200 rpm - 1600 rpm | 675 Nm |
| | Injection | direct |
| | Cooling | water |
| | Transmission | hydrostatic with automatic power regulation (hydraulic variable displacement pump and motor) |
| | Reversing shift | electromagnetic |
| | Number of gears (forward/reverse) | 2/2 |
| | Max. travel speed | 25 km/h |
| | Rear axle | OMCI Heavy Duty (type stacker) |
| | Frame levelling | 10°/10° |
| | Steering mode | 4 wheel steer / 4 wheel drive 3 steering mode |
| | Hydraulics | |
| | Pump (Piston Load Sensing) | 170 l/min - 350 bar |
| | Control | joysticks JSM (Joystick Switch and Move) |
| | Capacities | |
| | Cooling system | 16 l |
| | Engine oil | 16 l |
| | Hydraulic oil | 200 l |
| | Fuel tank | 200 l |
| | Unladen weight (with forks) | 24080 kg |
| | Width overall | 2.50 m |
| | Height overall | 2.93 m |
| | Length (forks carriage) | 6.60 m |
| | Ground clearance | 0.45 m |
| | Drawbar pull | 15500 daN |



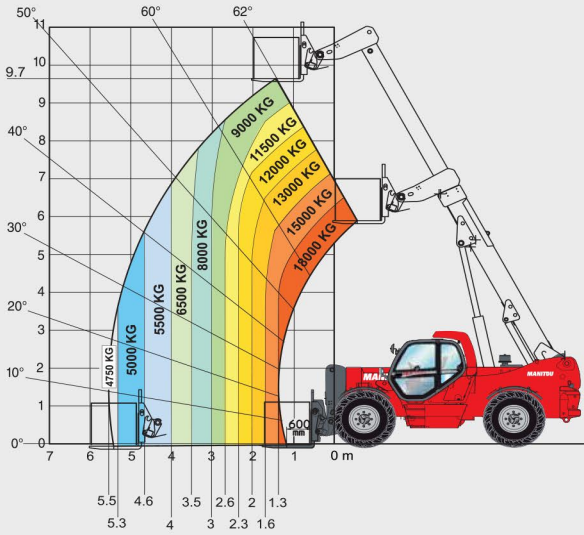
| mm | MHT 10180 |
|----|-----------|
| A | 1500 |
| B | 3650 |
| C | 1335 |
| D | 6605 |
| E | 8105 |
| F | 2070 |
| G | 685 |
| G1 | 445 |
| G2 | 685 |
| I | 1620 |
| K | 1750 |
| L | 80 |
| M | 2300 |
| O | 200 |
| P | 10° |
| R | 5445 |
| S | 10345 |
| T | 4255 |
| U | 2935 |
| V | 6810 |
| V1 | 2870 |
| V2 | 5685 |
| W | 2500 |
| Y | 12° |
| Z | 105° |



ROUGH TERRAIN LOAD CHART (UNDER EN 1459 ANNEXE B)

MHT 10180

CDG 600 MM



CDG 1200 MM

