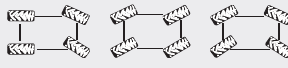


# MHT 10130



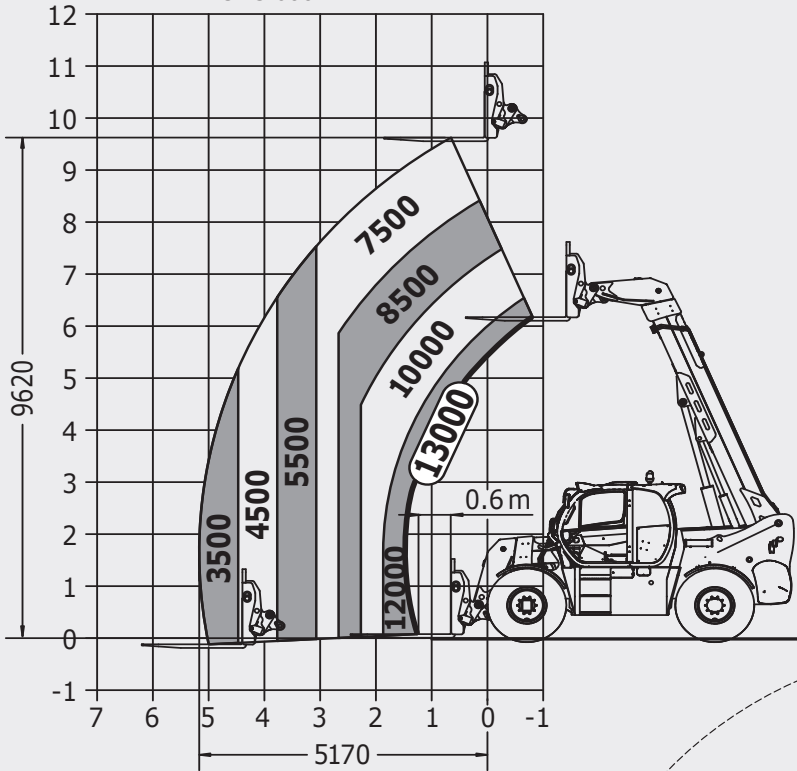
MHT 10130	
<b>Lifting</b>	
Max. capacity with forks at 600 mm	13 000 kg
Max. lifting height	9.62 m
Max. Outreach	5.17 m
<b>Tyres</b>	17.5 R 25
<b>Frame levelling</b>	+/- 10°
<b>Braking</b>	
Service brake	Oil bath multiple-disc brakes hydraulically assisted on both axles
Parking brake	Automatic Negative Parking brake
<b>Engine</b>	
MERCEDES	
Type	OM 934 LA. E4-3 (Stage IV / Tier IV final)
Displacement	4 cylinders 5.1 liters
Power	176 HP / 129 kW
Max. torque	750 Nm / 1200-1600 rpm
Batteries	24 V - 2X12 V - 120 Ah - 850 A
Laden drawbar pull	10 800 daN
Gradability	34%
<b>Transmission</b>	
hydrostatic	
Reversing shift	electrohydraulic control
Number of gears (forward / reverse)	2/2
Steering mode	4 wheel steer - 3 steering Modes 
Max. travel speed (may vary according to applicable regulations)	31 kph
Axles	DANA
<b>Controls</b>	
JSM® Joystick multi-fonction Load limiter cut off system - EN 15000 Norm	
<b>Hydraulics</b>	
Load sensing Pump	180 l/min - 300 bar
<b>Capacities</b>	
Urea	63 l
Hydraulic oil	290 l
Fuel	315 l
<b>Unladen weight (with forks)</b>	18 490 kg
<b>Dimensions</b>	
Overall width	2.51 m
Overall height	2.99 m
Overall length to carriage	6.14 m
Ground clearance	0.44 m
Turning radius (over tyres)	5.34 m
Standard forks (length x width x thickness)	1200 x 200 x 70 mm
<b>Noise and vibration</b>	
Noise at driving position (LpA)	80 dB
Environmental noise (LwA)	107 dB
Vibration to whole hand / arm	<2.5 m/s <sup>2</sup>



# MHT 10130

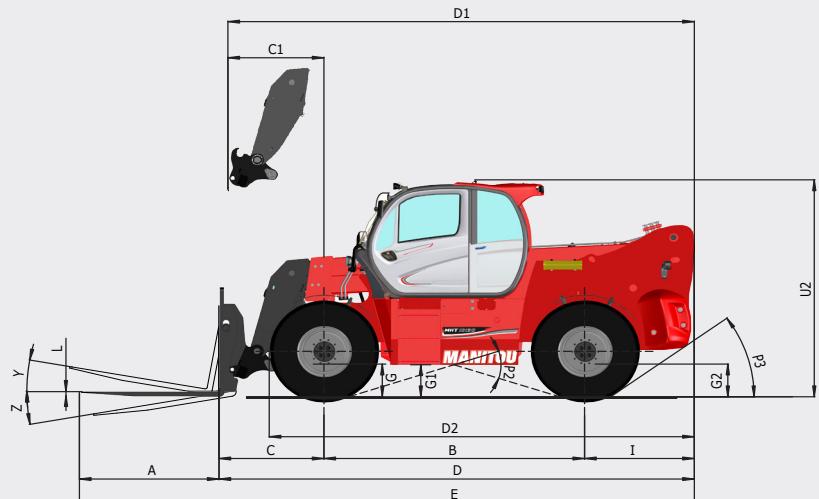
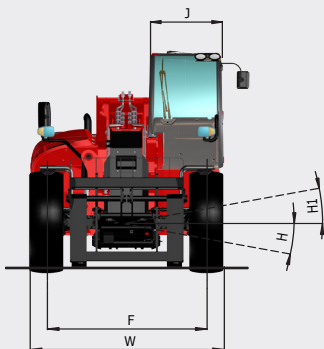
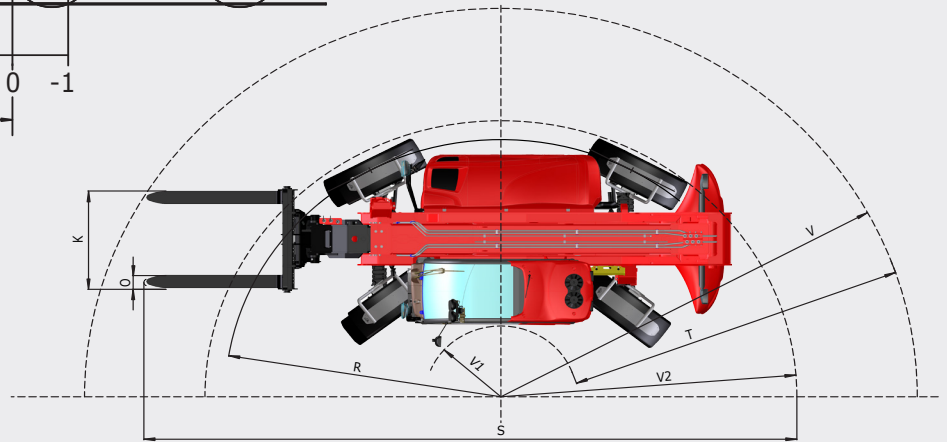


Machine on tyres with forks  
CDG 600 mm



mm	MHT 10130
A	1200
B	3370
C	1357
C1	1242
D	6146
D1	6031
D2	5497
E	7346
F	2065
G	470
G1	444
G2	470
H1	10°
H2	10°
I	1419
J	928

mm	MHT 10130
K	1430
L	70
O	200
P2	16°
P3	31°
R	5113
S	9145
T	3600
U2	2990
V	6150
V1	2550
V2	5345
W	2510
Y	18°
Z	117°



This brochure describes versions and configuration options for Manitou products which may be fitted with different equipment. The equipment described in this brochure may be standard, optional or not available depending on version. Manitou reserves the right to change the specifications shown and described at any time and without prior warning. The manufacturer is not liable for the specifications given. For more information, contact your Manitou dealer. Non-contractual document. Product descriptions may differ from actual products. List of specifications is not comprehensive. The logos and visual identity of the company are the property of Manitou and may not be used without authorisation. All rights reserved. The photos and diagrams contained in this brochure are provided for information only.

MANITOU BF SA - Limited company with board of directors - Share capital: 39,547,824 euros - 857 802 508 RCS Nantes

