



**Bobcat**®

COMPACT EXCAVATOR  
E17



**EXPERIENCE**  
SMOOTH POWER & OPTIMUM COMFORT

***One Tough Animal***™



# E17 — SPECIFICATIONS

## E17

### WEIGHTS

|  |          |
|--|----------|
| Operating weight with canopy                 | 1711 kg  |
| Operating weight with cab                    | 1807 kg  |
| Additional weight for internal counterweight | -        |
| Ground pressure                              | 29.4 kPa |

### ENGINE

|                               |                         |
|-------------------------------|-------------------------|
| Make / model                  | Kubota / D722-E2B-BCZ-7 |
| Fuel/Cooling                  | Diesel/Liquid           |
| Number of cylinders           | 3                       |
| Displacement                  | 0.7 L                   |
| Maximum NET power (ISO 9249)  | 9.9 kW                  |
| Maximum NET torque (ISO 9249) | 42.3 Nm                 |

### PERFORMANCE

|  |          |
|--|----------|
| Digging force, standard dipperstick (ISO 6015) | 9108 N   |
| Digging force, long dipperstick (ISO 6015)     | -        |
| Digging force, bucket (ISO 6015)               | 16177 N  |
| Drawbar pull                                   | 14334 N  |
| Travel speed, low range                        | 2.0 km/h |
| Travel speed, high range                       | 3.2 km/h |

### HYDRAULIC SYSTEM

|                                   |                  |
|-----------------------------------|------------------|
| Pump type                         | Triple gear pump |
| Pump capacity                     | 32.5 L/min       |
| Pump 1 capacity at 2500 RPM       | 10.0 L/min       |
| Pump 2 and 3 capacity at 2500 RPM | 11.3 L/min       |
| Auxiliary flow                    | 32.5 L/min       |
| Auxiliary relief                  | 227.0 bar        |

### SLEW SYSTEM

|                   |         |
|-------------------|---------|
| Boom swing, left  | 80 °    |
| Boom swing, right | 60 °    |
| Slew rate         | 8.7 RPM |

### FLUID CAPACITIES

|                                    |        |
|------------------------------------|--------|
| Cooling system                     | 3.3 L  |
| Engine lubrication plus oil filter | 3.3 L  |
| Fuel reservoir                     | 19.0 L |
| Hydraulic system                   | 17.0 L |

### ENVIRONMENTAL

|   |                       |
|---|-----------------------|
| Noise level LpA (EU Directive 2006/42/EC)   | 79 dB(A)              |
| Noise level LWA (EU Directive 2000/14/EC)   | 93 dB(A)              |
| Whole body vibration (ISO 2631-1)           | 0.74 ms <sup>-2</sup> |
| Hand-arm vibration (ISO 5349-1)             | 1.42 ms <sup>-2</sup> |
| Hand-arm vibration (ISO 5349-1) Uncertainty | 0.37 ms <sup>-2</sup> |

### STANDARD FEATURES

|   |                                       |
|---|---------------------------------------|
| TOPS/ROPS/FOPS* canopy                                      | Hydraulic and Travel Control Lockouts |
| Hydraulically retractable undercarriage from 1360 to 980 mm | Retractable seat belt                 |
| Exposed counterweight with 4 mm steel tailgate              | Two-speed travel (E19)                |
| 980 mm dozer blade with two 190 mm blade extensions         | Upperstructure four point tie down    |
| 230 mm rubber track   | Engine with auto shutdown             |
| Double acting auxiliary hydraulics                          | Full fuel warning alarm               |
| Auxiliary quick couplers (E19)                              | Work light                            |
| Control console locks                                       | Battery kill switch                   |
| Horn  | Storage compartment                   |
| Hydraulic joystick controls                                 | Cupholders                            |
| Foldable & ergonomic pedals                                 | Warranty: 12 months or 2000 hours     |

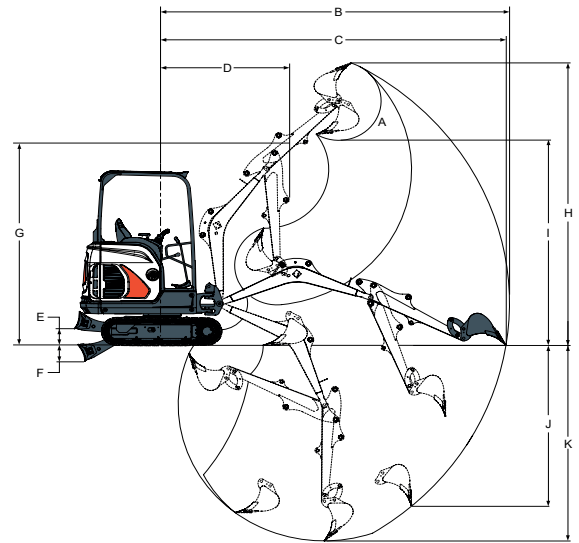
\* (1) Tip Over Protective Structure (TOPS) – Meets requirements of ISO 12117. (2) Roll Over Protective Structure (ROPS) – Meets requirements of ISO 3471. (3) Falling Object Protective Structure (FOPS) – Meets requirements of ISO 3449.

### OPTIONS

|   |  |
|---|--|
| TOPS/ROPS cab with heater   | Keyless start                              |
| AM/FM MP3 stereo radio  | Travel motion alarm                        |
| Cab/canopy light kit  | Two-speed travel (E17)                     |
| Clamp ready long dipperstick (E19)  | Deluxe textile suspension seat (Cab) (E17) |
| Long dozer blade  | 2nd Auxiliary hydraulics (E19)             |
| Additional internal counterweight (E19)   | Auxiliary hydraulic line on dipperstick    |
| Comfort package (E19)   | Auxiliary quick couplers (E17)             |
| - Fingertip auxiliary and offset hydraulic control with selectable auxiliary hydraulic flow | Hydraulic clamp (E19)                      |
| - Auto Shift Drive Motors   | Klac and Lehnhoff couplers                 |
| - Superior seat with high back (Canopy)   | Boom Load Holding Valve                    |
| - Deluxe textile suspension seat (Cab)  | Object handling certified                  |

### WORKING RANGE

std./long dipperstick\* – std./long dozer blade\*\*

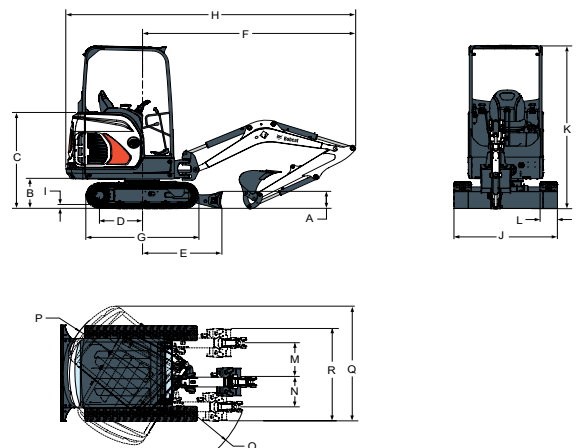


| E17 |         |
|-----|---------|
| A   | 196 °   |
| B   | 3919 mm |
| B*  | -       |
| C   | 3871 mm |
| C*  | -       |
| D   | 1526 mm |
| D*  | -       |
| E   | 220 mm  |
| E** | 300 mm  |
| F   | 204 mm  |

| E17 |         |
|-----|---------|
| F** | 254 mm  |
| G   | 2405 mm |
| H   | 3371 mm |
| H*  | -       |
| I   | 2370 mm |
| I*  | -       |
| J   | 1810 mm |
| J*  | -       |
| K   | 2249 mm |
| K*  | -       |

### DIMENSIONS

std./long dipperstick\* – std./long dozer blade\*\*



| E17 |         |
|-----|---------|
| A   | 235 mm  |
| B   | 419 mm  |
| C   | 1340 mm |
| D   | 1114 mm |
| E   | 1045 mm |
| E** | 1252 mm |
| F   | 2666 mm |
| F*  | -       |
| G   | 1476 mm |
| H   | 3665 mm |
| H*  | -       |

| E17 |                  |
|-----|------------------|
| I   | 25 mm            |
| J   | 1360 mm > 980 mm |
| K   | 2299 mm          |
| L   | 230 mm           |
| M   | 433 mm           |
| N   | 589 mm           |
| O   | 1128 mm          |
| P   | 1009 mm          |
| Q   | 1801 mm          |
| R   | 1645 mm          |