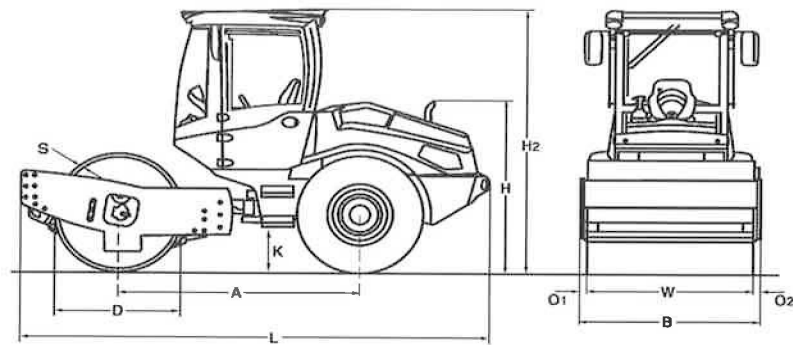




TECHNICAL DATA

SINGLE DRUM ROLLERS
BW 177 D-5





Dimensions in mm

	A	B	D	H	H2	K	L	O1	O2	S	W
BW 177 D-5	2350	1820	1230	1750	2800	380	4550	65	65	20	1690

Machine type	Compaction output (m ³ /h)			
	Rock fill	Gravel, sand	Mixed soil	Silt, clay
BW 177 D-5	-	210-420	160-320	70-140

Machine type	Compacted layer thickness (m)			
	Rock fill	Gravel, sand	Mixed soil	Silt, clay
BW 177 D-5	-	0,45	0,35	0,15



Technical Data

**BOMAG
BW 177 D-5**

Weights

Grossweight	kg	7.800
Operating weight CECE w. ROPS-cabin	kg	6.600
Axle load, drum CECE	kg	4.000
Axle load, wheels CECE	kg	2.600
Static linear load CECE	kg/cm	23,7

Dimensions

Working width	mm	1.690
Track radius, inner	mm	2.975

Driving Characteristics

Speed (1)	km/h	0- 4,5
Speed (2)	km/h	0- 5,5
Speed (3)	km/h	0- 7,5
Speed (4)	km/h	0- 10,5
Max. gradeability without/with vibr.	%	49/46

Drive

Engine manufacturer		Kubota
Type		V3307 CR-T
Emission stage		Stage V / TIER4f
Exhaust gas aftertreatment		DOC+DPF
Cooling		water
Number of cylinders		4
Performance ISO 3046	kW	55,4
Performance SAE J 1995	hp	75,0
Speed	min-1	2.400
Fuel		Diesel
Electric equipment	V	12
Drive system		hydrost.
Drum driven		standard

Drums and Tyres

Tyre size	14.9-24/8PR
-----------------	-------------

Brakes

Service brake	hydrost.
Parking brake	hydromec.

Steering

Steering system	oscil.artic.	
Steering method	hydrost.	
Steering / oscillating angle +/-	grad	35/12

Exciter system

Drive system		hydrost.
Frequency (1)	Hz	29
Frequency (2)	Hz	32
Amplitude	mm	1,90/0,80
Centrifugal force	kN	112/74
Centrifugal force	t	11,4/7,5

Capacities

Fuel	l	110,0
------------	---	-------

Technical modifications reserved. Machines may be shown with options.



Standard Equipment

- BOMAG ECOMODE
- Double pump system for travel drive (DH/PDH)
- No-Spin differential lock
- Rear axle with twin spring accumulator brakes
- Hydrostatic travel and vibration drive
- Hydrostatic articulated steering
- Articulated joint lock
- Warning, information and operation displays
- Single lever control for travel and vibration
- Emergency STOP
- Warning horn
- Back-up warning system
- Noise insulation
- 2 Contact scrapers Plastic (D/DH)
- 2 Scrapers (PDH)
- Tractor tires (PDH)



PRE 586 03 010

210119 Sa04

BOMAG
Hellerwald
D-56154 Boppard
P.O. Box 5162
Tel. (0)6742 - 1000
Fax (0)6742 - 3090

